

PERMANENT TEST STATIONS

Model: AJBex (Anode Junction Box ex)

Document No.: 06-610-R0

Sheet: 1 of 2

German Cathodic Protection



Anode Junction Boxes AJBs provide terminations for anodes and cables and connections to the main positive cable from the DC power source unit.

AJBs can be equipped with shunts to control the output current of individual anodes (or group of anodes), as well as variable resistors for individual adjustment of anode circuit output current.

Tailor-made anode junction boxes are provided with all necessary components such as:

- variable resistors according to required ratings
- shunts according to required ratings and standards
- cable terminations for cable lugs or screw clamp connections
- cable glands or conduits for cable entries

EJB Series enclosures - galvanized carbon steel

EJB.. series enclosures offers Ex-d IIB or IIB+H2 mode of protection.

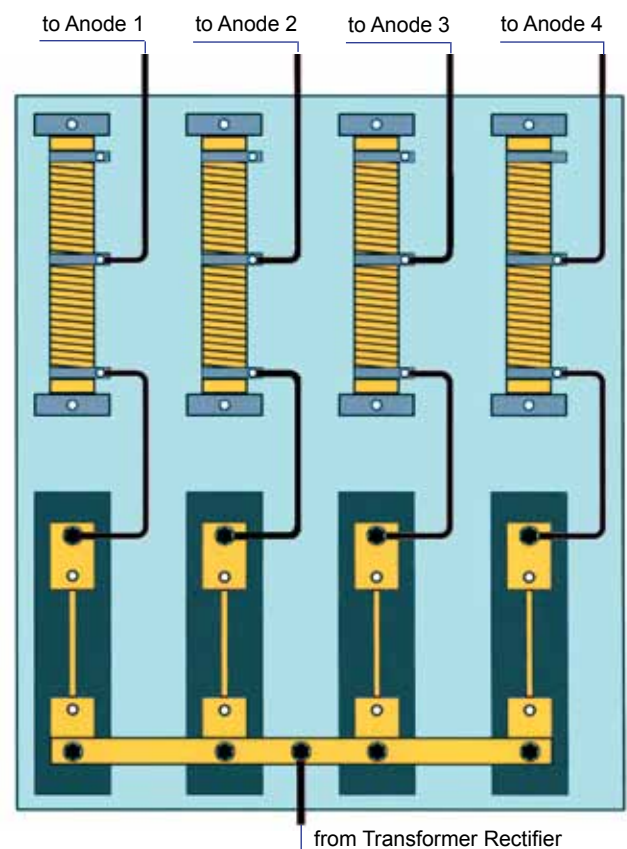
They are suitable for hazardous areas of industrial plants for indoor and outdoor applications.

Specifications

Material	Stainless steel AISI316L
Ambient temperature	50°C to +55°C -20°C to +55°C (IECEX Certificate)
Approvals	INERIS 00ATEX0021X GOST R IECEX INE 10.0015X INMETRO
Marking	II 2 GD Ex-d IIB T(**) Gb or Ex-d IIB+H2 T(**) Gb Ex-tb IIIC T(**) Db IP65 or 66 or 67 ** T6/T85°C, T5/T100°C, T4/T135°C, T3/T200°C II 2(1) GD Ex-d [ja Ga] IIB T6 Gb or Ex-d [ja Ga] IIB+H2 T6 Gb Ex-tb [ja Da] IIIC T85°C Db IP65 or 66 or 67 II 2(2) GD Ex-d [ib] IIB T6 Gb or Ex-d [ib] IIB+H2 T6 Gb Ex-tb [ib] IIIC T85°C Db IP65 or 66 or 67 NOTE: under IEC Ex directive, enclosures are suitable for IIB group of gases/dusts only
Surface treatment	Unpainted
Entries	Metric pitch 1.5, ANSI B1.20.1 NPT, UNI-6125
Standard certificate label	Made by self adhesive UV and corrosion resistant polyester, approved by INERIS Laboratory.
Accessories available upon request	Drain/breather valve Door handle External polyurethane painting cycle Internal anticondensate painting Traffolyte/Stainless steel certificate label



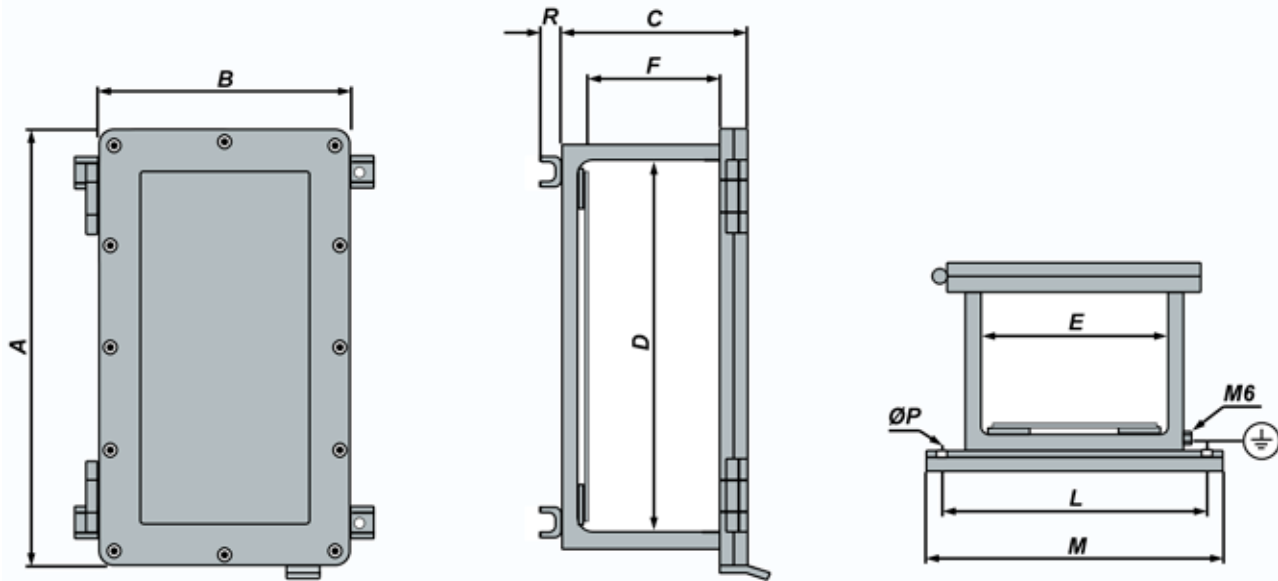
Anode Junction Box - Typical Layout



PERMANENT TEST STATIONS**Model: AJBex (Anode Junction Box ex)****German Cathodic Protection**

Document No.: 06-610-R0

Sheet: 2 of 2

EJB.. Series enclosures c/w internal mounting plate, mounting brackets, hinges - AISI316L

TYPE	DIMENSIONS										WEIGHT [KG]	AA**	PLATE
	A	B	C	D	E	F	L	M	ØP	R			
EJB-2	298	238	174	230	168	95	250	280	M6	20	35	12	160 x 220
EJB-3	412	238	177	340	167	85	250	280	M8	20	45	18	155 x 330
EJB-4	418	302	175	335	220	90	300	320	M8	20	56	20	210 x 325
EJB-5	480	300	232	392	209	125	300	320	M8	20	70	22	200 x 385
EJB-6	483	408	238	387	310	130	390	420	M8	20	62	28	300 x 380
EJB-8	634	365	254	530	262	140	340	370	M8	20	114	36	250 x 520
EJB-9	535	468	257	426	363	140	440	470	M10	20	118	34	350 x 420
EJB-11	596	505	267	483	394	130	480	510	M10	20	139	44	380 x 470
EJB-12	805	455	310	690	335	170	425	450	M12	20	181	54	325 x 625
EJB-13	832	607	314	723	500	115	580	620	M12	20	235	76	463 x 683
EJB-13A	832	607	400	723	500	205	580	620	M12	20	261	76	463 x 683

**Maximum quantity of operators on door.

Note: For installations in either Zone 1 or volume up to 2dm³, barrier glands are required.
Please refer to EN-60079-14.